

ELEMENTY DO TŁOCZNIKÓW COMPONENTS FOR DIE SETS	A
STEMPLE I MATRYCE PUNCHES AND DIES	B
SUWAKI ROLKOWE I KLINOWE ROLLER CAMS AND CAM UNITS	C
<b>WYPYCHACZE EJECTORS</b>	<b>D</b>
ELEMENTY DO FORM COMPONENTS FOR MOLDS	E
MOCOWANIA I TRANSPORT CLAMPING AND LIFTING	F
SPRĘŻYNY SPRINGS	G
SPRĘŻYNY GAZOWE GAS SPRINGS	H
STAL PRECYZYJNA PRECISION STEEL	I
EDM I CHEMIA EDM AND CHEMISTRY	J



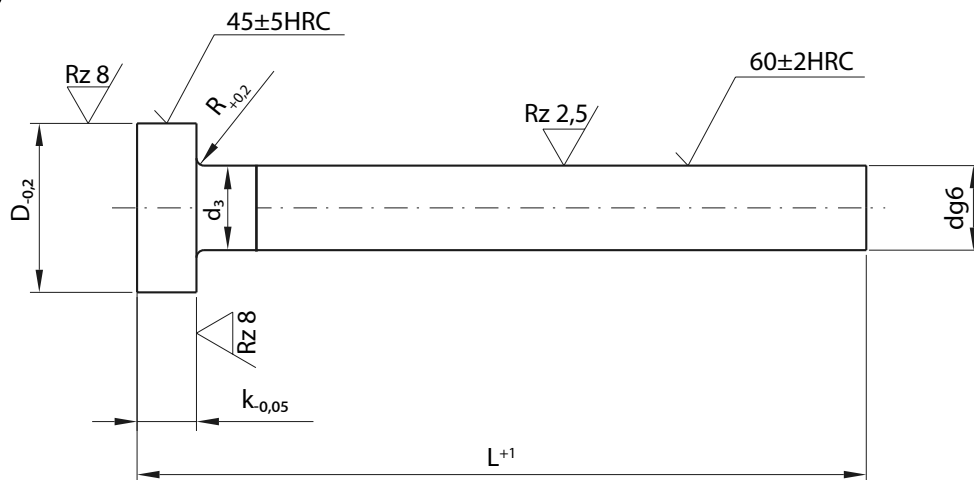
# WYPYCHACZE

EJECTORS



DIN 1530

250°C  
 Mat.: WS  
 Hartowany 60±2 HRC  
 250°C  
 Mat.: WS  
 Hardened 60±2 HRC



d	D	k	d <sub>3</sub>	R	Nr kat. / Item no.															
					L															
					100	125	160	200	250	315	400	500	630							
1,5	3	1,5	d <sup>+0,03</sup>	0,2	TCT-015100	TCT-015125	TCT-015160	TCT-015200												
1,6					TCT-016100	TCT-016125	TCT-016160	TCT-016200												
1,7					TCT-017100	TCT-017125	TCT-017160	TCT-017200												
1,8					TCT-018100	TCT-018125	TCT-018160	TCT-018200												
2	4	2		TCT-020100	TCT-020125	TCT-020160	TCT-020200	TCT-020250	TCT-020315											
2,2				TCT-022100	TCT-022125	TCT-022160	TCT-022200	TCT-022250	TCT-022315											
2,5	5	2		TCT-025100	TCT-025125	TCT-025160	TCT-025200	TCT-025250	TCT-025315											
2,7				TCT-027100	TCT-027125	TCT-027160	TCT-027200	TCT-027250	TCT-027315											
3	6	3		TCT-030100	TCT-030125	TCT-030160	TCT-030200	TCT-030250	TCT-030315	TCT-030400										
3,2				TCT-032100	TCT-032125	TCT-032160	TCT-032200	TCT-032250	TCT-032315	TCT-032400										
3,5	7	3		TCT-035100	TCT-035125	TCT-035160	TCT-035200	TCT-035250	TCT-035315	TCT-035400										
3,7				TCT-037100	TCT-037125	TCT-037160	TCT-037200	TCT-037250	TCT-037315	TCT-037400										
4	8	3	0,3	TCT-040100	TCT-040125	TCT-040160	TCT-040200	TCT-040250	TCT-040315	TCT-040400	TCT-040500	TCT-040630								
4,2			TCT-042100	TCT-042125	TCT-042160	TCT-042200	TCT-042250	TCT-042315	TCT-042400											
4,5			TCT-045100	TCT-045125	TCT-045160	TCT-045200	TCT-045250	TCT-045315	TCT-045400											
4,7			TCT-047100	TCT-047125	TCT-047160	TCT-047200	TCT-047250	TCT-047315	TCT-047400											
5	10	3	TCT-050100	TCT-050125	TCT-050160	TCT-050200	TCT-050250	TCT-050315	TCT-050400	TCT-050500	TCT-050630									
5,2			TCT-052100	TCT-052125	TCT-052160	TCT-052200	TCT-052250	TCT-052315	TCT-052400											
5,5			TCT-055100	TCT-055125	TCT-055160	TCT-055200	TCT-055250	TCT-055315	TCT-055400											
6	12	5	0,5	TCT-060100	TCT-060125	TCT-060160	TCT-060200	TCT-060250	TCT-060315	TCT-060400	TCT-060500	TCT-060630								

TCT

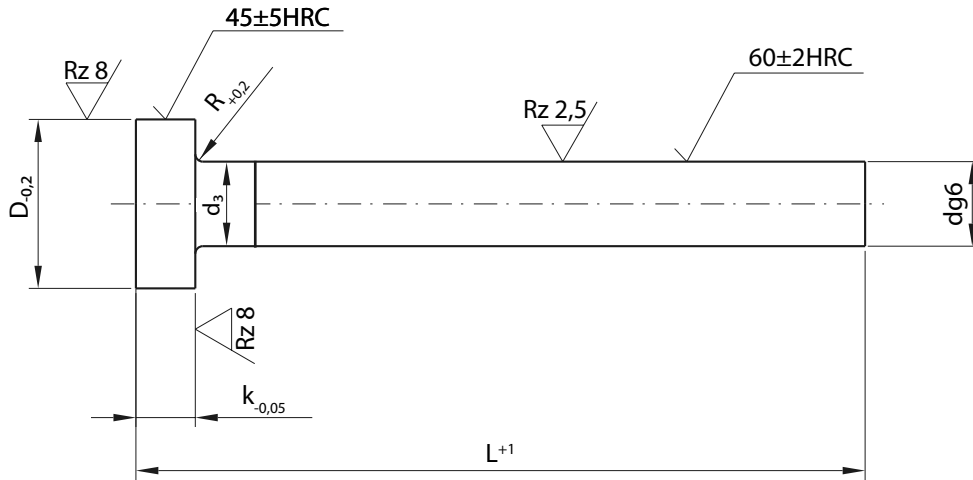
WYPYCHACZ

EJECTOR PIN

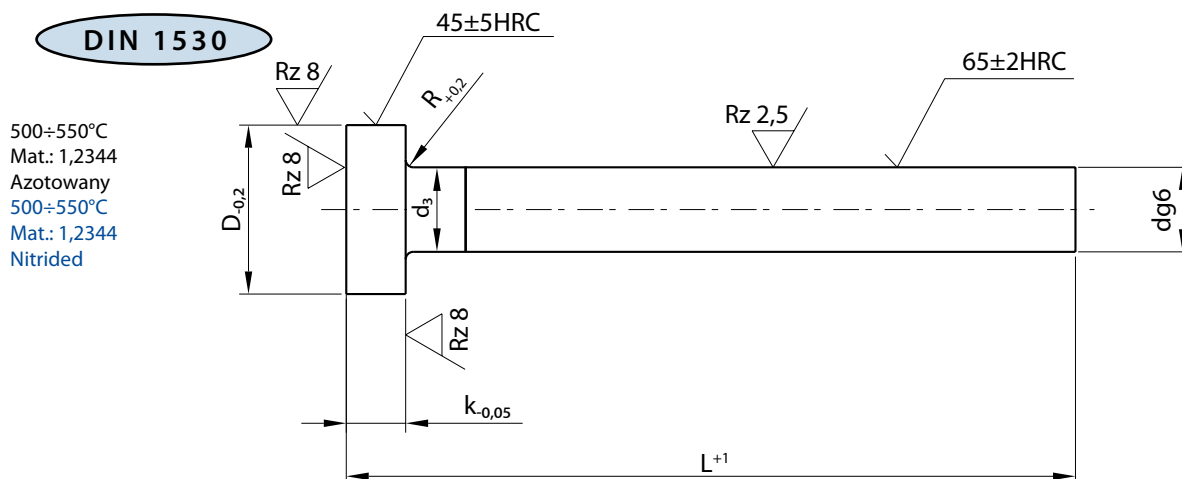


DIN 1530

250°C  
Mat.: WS  
Hartowany 60±2 HRC  
250°C  
Mat.: WS  
Hardened 60±2 HRC



d	D	k	d <sub>3</sub>	R	Nr kat. / Item no.								
					L								
					100	125	160	200	250	315	400	500	630
6,2	12	5	d <sup>+0,03</sup>	0,5	TCT-062100	TCT-062125	TCT-062160	TCT-062200	TCT-062250	TCT-062315	TCT-062400		
6,5					TCT-065100	TCT-065125	TCT-065160	TCT-065200	TCT-065250	TCT-065315	TCT-065400		
7					TCT-070100	TCT-070125	TCT-070160	TCT-070200	TCT-070250	TCT-070315	TCT-070400	TCT-070500	TCT-070630
8	14	5	d <sup>+0,03</sup>	0,5	TCT-080100	TCT-080125	TCT-080160	TCT-080200	TCT-080250	TCT-080315	TCT-080400	TCT-080500	TCT-080630
8,2					TCT-082100	TCT-082125	TCT-082160	TCT-082200	TCT-082250	TCT-082315	TCT-082400	TCT-082500	TCT-082630
8,5					TCT-085100	TCT-085125	TCT-085160	TCT-085200	TCT-085250	TCT-085315	TCT-085400	TCT-085500	TCT-085630
9	16	5	d <sup>+0,04</sup>	0,5	TCT-090100	TCT-090125	TCT-090160	TCT-090200	TCT-090250	TCT-090315	TCT-090400	TCT-090500	TCT-090630
10					TCT-100100	TCT-100125	TCT-100160	TCT-100200	TCT-100250	TCT-100315	TCT-100400	TCT-100500	TCT-100630
10,2					TCT-102100	TCT-102125	TCT-102160	TCT-102200	TCT-102250	TCT-102315	TCT-102400	TCT-102500	TCT-102630
10,5	16	5	d <sup>+0,04</sup>	0,5	TCT-105100	TCT-105125	TCT-105160	TCT-105200	TCT-105250	TCT-105315	TCT-105400	TCT-105500	TCT-105630
11					TCT-110100	TCT-110125	TCT-110160	TCT-110200	TCT-110250	TCT-110315	TCT-110400	TCT-110500	TCT-110630
12					TCT-120100	TCT-120125	TCT-120160	TCT-120200	TCT-120250	TCT-120315	TCT-120400	TCT-120500	TCT-120630
12,2	18	7	d <sup>+0,04</sup>	0,8	TCT-122100	TCT-122125	TCT-122160	TCT-122200	TCT-122250	TCT-122315	TCT-122400	TCT-122500	TCT-122630
12,5					TCT-125100	TCT-125125	TCT-125160	TCT-125200	TCT-125250	TCT-125315	TCT-125400	TCT-125500	TCT-125630
14					TCT-140100	TCT-140125	TCT-140160	TCT-140200	TCT-140250	TCT-140315	TCT-140400	TCT-140500	TCT-140630
16	22	7	d <sup>+0,04</sup>	0,8	TCT-160100	TCT-160125	TCT-160160	TCT-160200	TCT-160250	TCT-160315	TCT-160400	TCT-160500	TCT-160630
18					TCT-180100	TCT-180125	TCT-180160	TCT-180200	TCT-180250	TCT-180315	TCT-180400	TCT-180500	TCT-180630
20	24	8	d <sup>+0,07</sup>	1	TCT-200100	TCT-200125	TCT-200160	TCT-200200	TCT-200250	TCT-200315	TCT-200400	TCT-200500	TCT-200630



500±550°C  
Mat.: 1,2344  
Azotowany  
500±550°C  
Mat.: 1,2344  
Nitrided

DIN 1530

d	D	k	d <sub>3</sub>	R
1,5	3	1,5	d <sup>+0,03</sup>	0,2
2	4	2		
2,2				
2,5	5	3		0,3
3	6			
3,2				
3,5	7	10		0,3
4				
4,2				
4,5	12	5		0,5
5				
5,2				
5,5	12	5	0,5	
6				
6,2	12	5	0,5	
6,5				
7	12	5	0,5	

d	Nr kat. / Item no.										
	L										
	100	125	160	200	250	315	400	500	630	800	1000
1,5	TCN-015100	TCN-015125	TCN-015160	TCN-015200							
2	TCN-020100	TCN-020125	TCN-020160	TCN-020200	TCN-020250	TCN-020315					
2,2	TCN-022100	TCN-022125	TCN-022160	TCN-022200	TCN-022250	TCN-022315					
2,5	TCN-025100	TCN-025125	TCN-025160	TCN-025200	TCN-025250	TCN-025315					
3	TCN-030100	TCN-030125	TCN-030160	TCN-030200	TCN-030250	TCN-030315	TCN-030400	TCN-030500			
3,2	TCN-032100	TCN-032125	TCN-032160	TCN-032200	TCN-032250	TCN-032315	TCN-032400	TCN-032500			
3,5	TCN-035100	TCN-035125	TCN-035160	TCN-035200	TCN-035250	TCN-035315	TCN-035400	TCN-035500			
4	TCN-040100	TCN-040125	TCN-040160	TCN-040200	TCN-040250	TCN-040315	TCN-040400	TCN-040500	TCN-040630		
4,2	TCN-042100	TCN-042125	TCN-042160	TCN-042200	TCN-042250	TCN-042315	TCN-042400	TCN-042500	TCN-042630		
4,5	TCN-045100	TCN-045125	TCN-045160	TCN-045200	TCN-045250	TCN-045315	TCN-045400	TCN-045500	TCN-045630		
5	TCN-050100	TCN-050125	TCN-050160	TCN-050200	TCN-050250	TCN-050315	TCN-050400	TCN-050500	TCN-050630	TCN-050800	
5,2	TCN-052100	TCN-052125	TCN-052160	TCN-052200	TCN-052250	TCN-052315	TCN-052400	TCN-052500	TCN-052630		
5,5	TCN-055100	TCN-055125	TCN-055160	TCN-055200	TCN-055250	TCN-055315	TCN-055400	TCN-055500	TCN-055630		
6	TCN-060100	TCN-060125	TCN-060160	TCN-060200	TCN-060250	TCN-060315	TCN-060400	TCN-060500	TCN-060630	TCN-060800	TCN-0601000
6,2	TCN-062100	TCN-062125	TCN-062160	TCN-062200	TCN-062250	TCN-062315	TCN-062400	TCN-062500	TCN-062630		
6,5	TCN-065100	TCN-065125	TCN-065160	TCN-065200	TCN-065250	TCN-065315	TCN-065400	TCN-065500	TCN-065630		
7	TCN-070100	TCN-070125	TCN-070160	TCN-070200	TCN-070250	TCN-070315	TCN-070400	TCN-070500	TCN-070630		

TCN

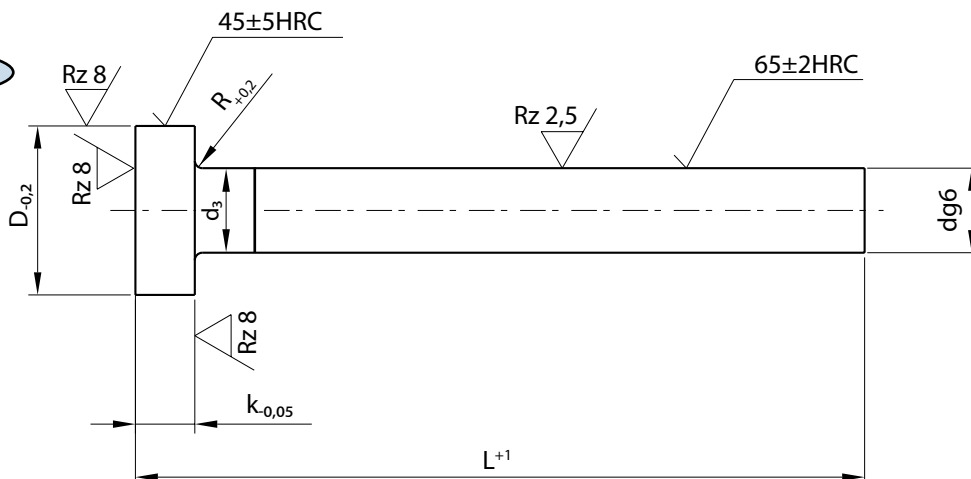
WYPYCHACZ AZOTOWANY

EJECTOR PIN NITRIDED



DIN 1530

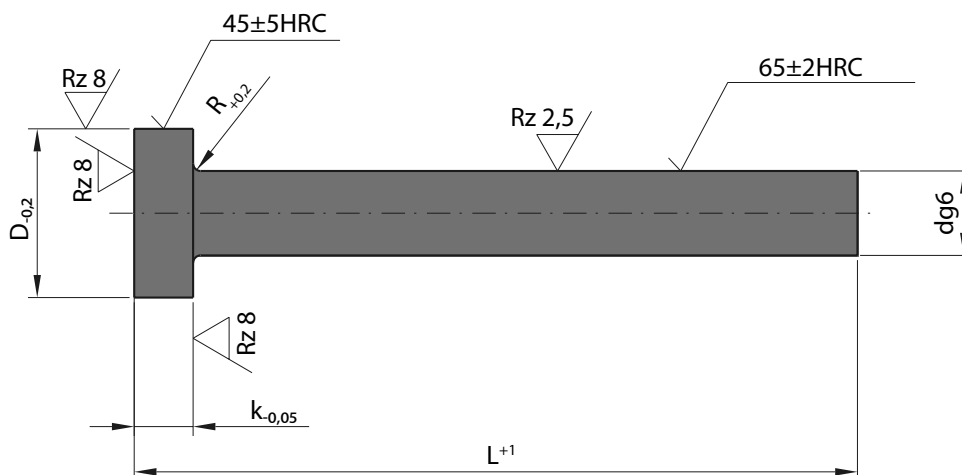
500±550°C  
Mat.: 1,2344  
Azotowany  
500±550°C  
Mat.: 1,2344  
Nitrided



d	D	k	d <sub>3</sub>	R
8	14	5	d <sup>+0,03</sup>	0,5
8,2				
8,5				
9				
10				
10,2	16	7	d <sup>+0,04</sup>	0,8
10,5				
11				
12				
12,2	18	7	d <sup>+0,04</sup>	0,8
12,5				
14				
16	22	7	d <sup>+0,04</sup>	0,8
16,2				
18	24	8	d <sup>+0,1</sup>	1
20	26			
25	32			
32	40	10	d <sup>+0,1</sup>	1

d	Nr kat. / Item no.										
	L										
	100	125	160	200	250	315	400	500	630	800	1000
8	TCN-080100	TCN-080125	TCN-080160	TCN-080200	TCN-080250	TCN-080315	TCN-080400	TCN-080500	TCN-080630	TCN-080800	TCN-0801000
8,2	TCN-082100	TCN-082125	TCN-082160	TCN-082200	TCN-082250	TCN-082315	TCN-082400	TCN-082500	TCN-082630		
8,5	TCN-085100	TCN-085125	TCN-085160	TCN-085200	TCN-085250	TCN-085315	TCN-085400	TCN-085500	TCN-085630		
9	TCN-090100	TCN-090125	TCN-090160	TCN-090200	TCN-090250	TCN-090315	TCN-090400	TCN-090500	TCN-090630		
10	TCN-100100	TCN-100125	TCN-100160	TCN-100200	TCN-100250	TCN-100315	TCN-100400	TCN-100500	TCN-100630	TCN-100800	TCN-1001000
10,2	TCN-102100	TCN-102125	TCN-102160	TCN-102200	TCN-102250	TCN-102315	TCN-102400	TCN-102500	TCN-102630		
10,5	TCN-105100	TCN-105125	TCN-105160	TCN-105200	TCN-105250	TCN-105315	TCN-105400	TCN-105500	TCN-105630		
11	TCN-110100	TCN-110125	TCN-110160	TCN-110200	TCN-110250	TCN-110315	TCN-110400	TCN-110500	TCN-110630		
12	TCN-120100	TCN-120125	TCN-120160	TCN-120200	TCN-120250	TCN-120315	TCN-120400	TCN-120500	TCN-120630	TCN-120800	TCN-1201000
12,2	TCN-122100	TCN-122125	TCN-122160	TCN-122200	TCN-122250	TCN-122315	TCN-122400	TCN-122500	TCN-122630	TCN-122800	
12,5	TCN-125100	TCN-125125	TCN-125160	TCN-125200	TCN-125250	TCN-125315	TCN-125400	TCN-125500	TCN-125630	TCN-125800	
14	TCN-140100	TCN-140125	TCN-140160	TCN-140200	TCN-140250	TCN-140315	TCN-140400	TCN-140500	TCN-140630	TCN-140800	TCN-1401000
16	TCN-160100	TCN-160125	TCN-160160	TCN-160200	TCN-160250	TCN-160315	TCN-160400	TCN-160500	TCN-160630	TCN-160800	TCN-1601000
18	TCN-180100	TCN-180125	TCN-180160	TCN-180200	TCN-180250	TCN-180315	TCN-180400	TCN-180500	TCN-180630	TCN-180800	TCN-1801000
20	TCN-200100	TCN-200125	TCN-200160	TCN-200200	TCN-200250	TCN-200315	TCN-200400	TCN-200500	TCN-200630	TCN-200800	TCN-2001000
25			TCN-250160	TCN-250200	TCN-250250	TCN-250315	TCN-250400	TCN-250500	TCN-250630	TCN-250800	TCN-2501000
32			TCN-320160	TCN-320200	TCN-320250	TCN-320315	TCN-320400	TCN-320500	TCN-320630	TCN-320800	TCN-3201000

Mat.: 1,2344  
Azotowany  
Mat.: 1,2344  
Nitrided



d	D	k	R
1,5	3	1,5	0,2
2	4	2	0,3
2,2			0,3
2,5	5		
3	6		
3,2			
3,5	7		
4	8		
4,2			
4,5			
5	10		
5,2			
5,5	12	5	0,5
6			
6,2			
6,5			
7			

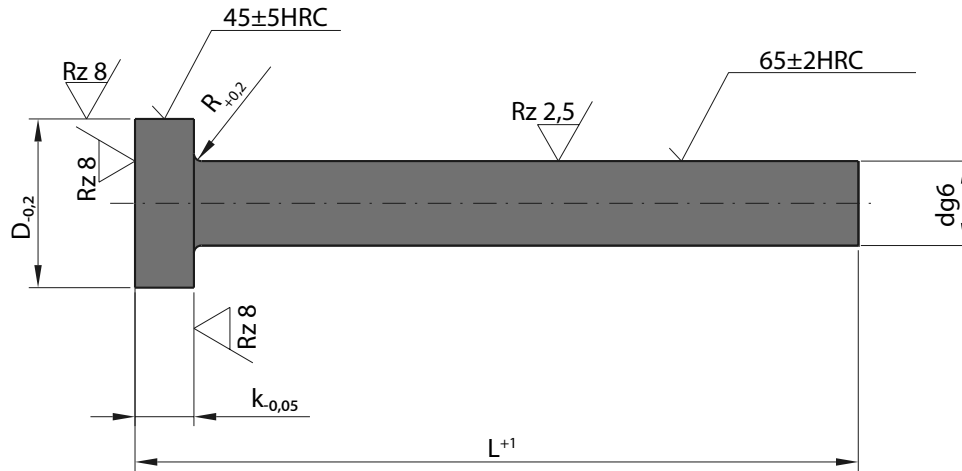
d	Nr kat. / Item no.										
	L										
	100	125	160	200	250	315	400	500	630	800	1000
1,5	TCC-015100	TCC-015125	TCC-015160	TCC-015200							
2	TCC-020100	TCC-020125	TCC-020160	TCC-020200	TCC-020250	TCC-020315					
2,2	TCC-022100	TCC-022125	TCC-022160	TCC-022200	TCC-022250	TCC-022315					
2,5	TCC-025100	TCC-025125	TCC-025160	TCC-025200	TCC-025250	TCC-025315					
3	TCC-030100	TCC-030125	TCC-030160	TCC-030200	TCC-030250	TCC-030315	TCC-030400	TCC-030500			
3,2	TCC-032100	TCC-032125	TCC-032160	TCC-032200	TCC-032250	TCC-032315	TCC-032400	TCC-032500			
3,5	TCC-035100	TCC-035125	TCC-035160	TCC-035200	TCC-035250	TCC-035315	TCC-035400	TCC-035500			
4	TCC-040100	TCC-040125	TCC-040160	TCC-040200	TCC-040250	TCC-040315	TCC-040400	TCC-040500	TCC-040630		
4,2	TCC-042100	TCC-042125	TCC-042160	TCC-042200	TCC-042250	TCC-042315	TCC-042400	TCC-042500	TCC-042630		
4,5	TCC-045100	TCC-045125	TCC-045160	TCC-045200	TCC-045250	TCC-045315	TCC-045400	TCC-045500	TCC-045630		
5	TCC-050100	TCC-050125	TCC-050160	TCC-050200	TCC-050250	TCC-050315	TCC-050400	TCC-050500	TCC-050630		
5,2	TCC-052100	TCC-052125	TCC-052160	TCC-052200	TCC-052250	TCC-052315	TCC-052400	TCC-052500	TCC-052630		
5,5	TCC-055100	TCC-055125	TCC-055160	TCC-055200	TCC-055250	TCC-055315	TCC-055400	TCC-055500	TCC-055630		
6	TCC-060100	TCC-060125	TCC-060160	TCC-060200	TCC-060250	TCC-060315	TCC-060400	TCC-060500	TCC-060630	TCC-060800	TCC-0601000
6,2	TCC-062100	TCC-062125	TCC-062160	TCC-062200	TCC-062250	TCC-062315	TCC-062400	TCC-062500	TCC-062630		
6,5	TCC-065100	TCC-065125	TCC-065160	TCC-065200	TCC-065250	TCC-065315	TCC-065400	TCC-065500	TCC-065630		
7	TCC-070100	TCC-070125	TCC-070160	TCC-070200	TCC-070250	TCC-070315	TCC-070400	TCC-070500	TCC-070630		

TCC

WYPYCHACZ  
AZOTOWANY NA CZARNO  
EJECTOR PIN NITRIDED-BLACK



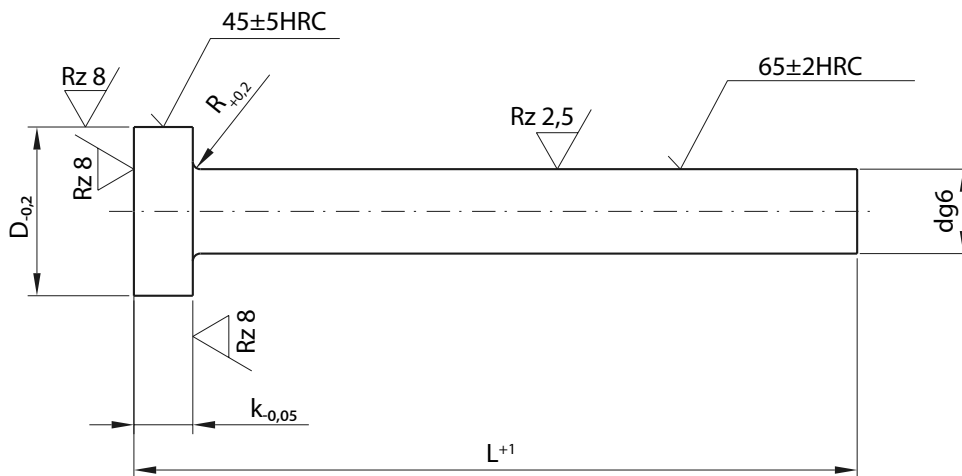
Mat.: 1,2344  
Azotowany  
Mat.: 1,2344  
Nitrided



d	D	k	R
8	14	5	0,5
8,2			
8,5			
9			
10			
10,2	16	7	0,8
10,5			
11			
12	18	8	1
12,2			
12,5			
14			
16	22	10	1
16,2			
18	24	10	1
20			
25	32	10	1
32			

d	Nr kat. / Item no.										
	L										
	100	125	160	200	250	315	400	500	630	800	1000
8	TCC-080100	TCC-080125	TCC-080160	TCC-080200	TCC-080250	TCC-080315	TCC-080400	TCC-080500	TCC-080630	TCC-080800	TCC-0801000
8,2	TCC-082100	TCC-082125	TCC-082160	TCC-082200	TCC-082250	TCC-082315	TCC-082400	TCC-082500	TCC-082630		
8,5	TCC-085100	TCC-085125	TCC-085160	TCC-085200	TCC-085250	TCC-085315	TCC-085400	TCC-085500	TCC-085630		
9	TCC-090100	TCC-090125	TCC-090160	TCC-090200	TCC-090250	TCC-090315	TCC-090400	TCC-090500	TCC-090630		
10	TCC-100100	TCC-100125	TCC-100160	TCC-100200	TCC-100250	TCC-100315	TCC-100400	TCC-100500	TCC-100630	TCC-100800	TCC-1001000
10,2	TCC-102100	TCC-102125	TCC-102160	TCC-102200	TCC-102250	TCC-102315	TCC-102400	TCC-102500	TCC-102630		
10,5	TCC-105100	TCC-105125	TCC-105160	TCC-105200	TCC-105250	TCC-105315	TCC-105400	TCC-105500	TCC-105630		
11	TCC-110100	TCC-110125	TCC-110160	TCC-110200	TCC-110250	TCC-110315	TCC-110400	TCC-110500	TCC-110630		
12	TCC-120100	TCC-120125	TCC-120160	TCC-120200	TCC-120250	TCC-120315	TCC-120400	TCC-120500	TCC-120630	TCC-120800	TCC-1201000
12,2	TCC-122100	TCC-122125	TCC-122160	TCC-122200	TCC-122250	TCC-122315	TCC-122400	TCC-122500	TCC-122630	TCC-122800	
12,5	TCC-125100	TCC-125125	TCC-125160	TCC-125200	TCC-125250	TCC-125315	TCC-125400	TCC-125500	TCC-125630	TCC-125800	
14	TCC-140100	TCC-140125	TCC-140160	TCC-140200	TCC-140250	TCC-140315	TCC-140400	TCC-140500	TCC-140630	TCC-140800	TCC-1401000
16	TCC-160100	TCC-160125	TCC-160160	TCC-160200	TCC-160250	TCC-160315	TCC-160400	TCC-160500	TCC-160630	TCC-160800	TCC-1601000
18	TCC-180100	TCC-180125	TCC-180160	TCC-180200	TCC-180250	TCC-180315	TCC-180400	TCC-180500	TCC-180630	TCC-180800	TCC-1801000
20	TCC-200100	TCC-200125	TCC-200160	TCC-200200	TCC-200250	TCC-200315	TCC-200400	TCC-200500	TCC-200630	TCC-200800	TCC-2001000
25			TCC-250160	TCC-250200	TCC-250250	TCC-250315	TCC-250400	TCC-250500	TCC-250630	TCC-250800	TCC-2501000
32			TCC-320160	TCC-320200	TCC-320250	TCC-320315	TCC-320400	TCC-320500	TCC-320630	TCC-320800	TCC-3201000

Mat.: WS



d	D	k	R	Nr kat. / Item no.						
				L						
				100	125	160	200	250	315	400
2	4	2	0,3	TCF-020100	TCF-020125	TCF-020160	TCF-020200	TCF-020250	TCF-020315	
2,2				TCF-022100	TCF-022125	TCF-022160	TCF-022200	TCF-022250		
2,5				TCF-025100	TCF-025125	TCF-025160	TCF-025200	TCF-025250	TCF-025315	
3	6	3	0,3	TCF-030100	TCF-030125	TCF-030160	TCF-030200	TCF-030250	TCF-030315	TCF-030400
3,2				TCF-032100	TCF-032125	TCF-032160	TCF-032200	TCF-032250	TCF-032315	TCF-032400
3,5				TCF-035100	TCF-035125	TCF-035160	TCF-035200	TCF-035250	TCF-035315	TCF-035400
4	8	5	0,5	TCF-040100	TCF-040125	TCF-040160	TCF-040200	TCF-040250	TCF-040315	TCF-040400
5	10			TCF-050100	TCF-050125	TCF-050160	TCF-050200	TCF-050250	TCF-050315	TCF-050400
6	12			TCF-060100	TCF-060125	TCF-060160	TCF-060200	TCF-060250	TCF-060315	TCF-060400
7	14	6,5	0,5	TCF-070100	TCF-070125	TCF-070160	TCF-070200	TCF-070250	TCF-070315	TCF-070400
8				TCF-080100	TCF-080125	TCF-080160	TCF-080200	TCF-080250	TCF-080315	TCF-080400
10				17	TCF-100100	TCF-100125	TCF-100160	TCF-100200	TCF-100250	TCF-100315
12	20	7	0,8	TCF-120100	TCF-120125	TCF-120160	TCF-120200	TCF-120250	TCF-120315	TCF-120400
14	22			TCF-140100	TCF-140125	TCF-140160	TCF-140200	TCF-140250	TCF-140315	TCF-140400
16	24			TCF-160100	TCF-160125	TCF-160160	TCF-160200	TCF-160250	TCF-160315	TCF-160400
18	26			TCF-180100	TCF-180125	TCF-180160	TCF-180200	TCF-180250	TCF-180315	TCF-180400
20	28			TCF-200100	TCF-200125	TCF-200160	TCF-200200	TCF-200250	TCF-200315	TCF-200400

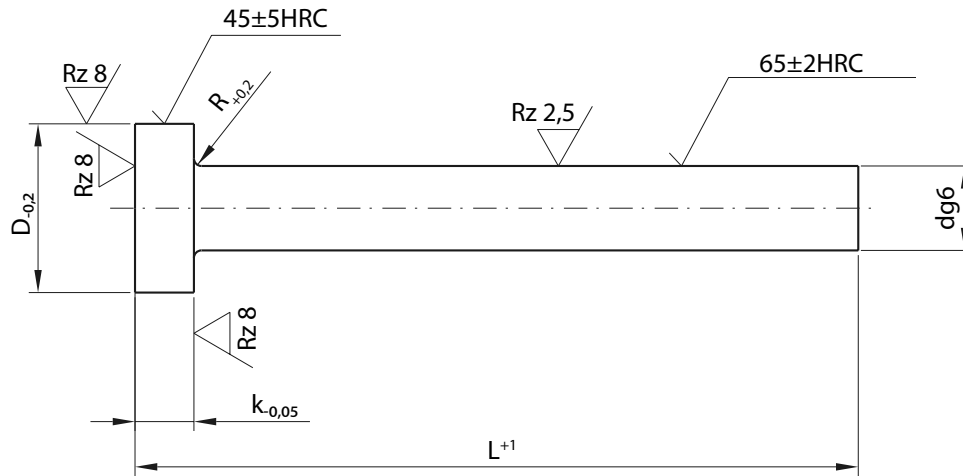
TNF

WYPYCHACZ AZOTOWANY TYP FIAT

EJECTOR PIN NITRIDED TYPE FIAT



Mat.: 1,2344  
Azotowany  
Mat.: 1,2344  
Nitrided

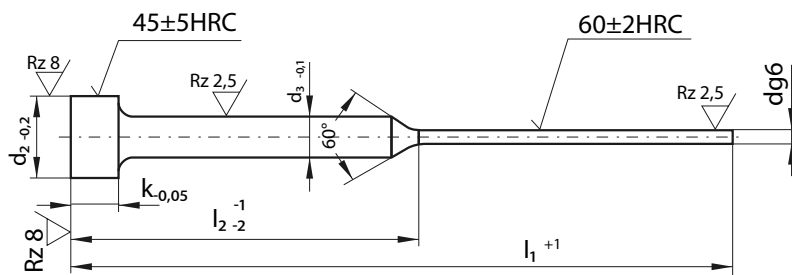


d	D	k	R	Nr kat. / Item no.						
				L						
				100	125	160	200	250	315	400
2	4	2	0,2	TNF-020100	TNF-020125	TNF-020160	TNF-020200	TNF-020250	TNF-020315	
2,2				TNF-022100	TNF-022125	TNF-022160	TNF-022200	TNF-022250		
2,5	5		0,3	TNF-025100	TNF-025125	TNF-025160	TNF-025200	TNF-025250	TNF-025315	
3	6	3	0,3	TNF-030100	TNF-030125	TNF-030160	TNF-030200	TNF-030250	TNF-030315	
3,2				TNF-032100	TNF-032125	TNF-032160	TNF-032200	TNF-032250	TNF-032315	TNF-032400
3,5	7			TNF-035100	TNF-035125	TNF-035160	TNF-035200	TNF-035250	TNF-035315	TNF-035400
4	8			TNF-040100	TNF-040125	TNF-040160	TNF-040200	TNF-040250	TNF-040315	TNF-040400
5	10			TNF-050100	TNF-050125	TNF-050160	TNF-050200	TNF-050250	TNF-050315	TNF-050400
6	12	5	0,5	TNF-060100	TNF-060125	TNF-060160	TNF-060200	TNF-060250	TNF-060315	TNF-060400
7				TNF-070100	TNF-070125	TNF-070160	TNF-070200	TNF-070250	TNF-070315	TNF-070400
8	14	6,5	0,5	TNF-080100	TNF-080125	TNF-080160	TNF-080200	TNF-080250	TNF-080315	TNF-080400
10	17			TNF-100100	TNF-100125	TNF-100160	TNF-100200	TNF-100250	TNF-100315	TNF-100400
12	20	7	0,8	TNF-120100	TNF-120125	TNF-120160	TNF-120200	TNF-120250	TNF-120315	TNF-120400
14	22			TNF-140100	TNF-140125	TNF-140160	TNF-140200	TNF-140250	TNF-140315	TNF-140400
16	24			TNF-160100	TNF-160125	TNF-160160	TNF-160200	TNF-160250	TNF-160315	TNF-160400
18	26			TNF-180100	TNF-180125	TNF-180160	TNF-180200	TNF-180250	TNF-180315	TNF-180400
20	29	7	1	TNF-200100	TNF-200125	TNF-200160	TNF-200200	TNF-200250	TNF-200315	TNF-200400

DIN 1530

FORMA C

Mat.: WS  
Azotowany na zapytanie  
Mat.: WS  
Nitrided on request



d	d <sub>2</sub>	d <sub>3</sub>	k	Nr kat. / Item no.			
				l <sub>2</sub> =50		l <sub>2</sub> =75	
				l <sub>1</sub> =100	l <sub>1</sub> =125	l <sub>1</sub> =160	l <sub>1</sub> =200
0,8	4	2	2	TPS-080100	TPS-080125	TPS-080160	TPS-080200
0,9				TPS-090100	TPS-090125	TPS-090160	TPS-090200
1,0				TPS-100100	TPS-100125	TPS-100160	TPS-100200
1,1				TPS-110100	TPS-110125	TPS-110160	TPS-110200
1,2				TPS-120100	TPS-120125	TPS-120160	TPS-120200
1,3				TPS-130100	TPS-130125	TPS-130160	TPS-130200
1,4				TPS-140100	TPS-140125	TPS-140160	TPS-140200
1,5				6	3	3	TPS-150100
1,6	TPS-160100	TPS-160125	TPS-160160				TPS-160200
1,7	TPS-170100	TPS-170125	TPS-170160				TPS-170200
1,8	TPS-180100	TPS-180125	TPS-180160				TPS-180200
1,9	TPS-190100	TPS-190125	TPS-190160				TPS-190200
2,0	TPS-200100	TPS-200125	TPS-200160				TPS-200200
2,1	TPS-210100	TPS-210125	TPS-210160				TPS-210200
2,2	TPS-220100	TPS-220125	TPS-220160				TPS-220200
2,3	TPS-230100	TPS-230125	TPS-230160				TPS-230200
2,4	TPS-240100	TPS-240125	TPS-240160				TPS-240200
2,5	TPS-250100	TPS-250125	TPS-250160				TPS-250200
2,6	TPS-260100	TPS-260125	TPS-260160				TPS-260200
2,7	TPS-270100	TPS-270125	TPS-270160	TPS-270200			
2,8	TPS-280100	TPS-280125	TPS-280160	TPS-280200			
2,9	TPS-290100	TPS-290125	TPS-290160	TPS-290200			

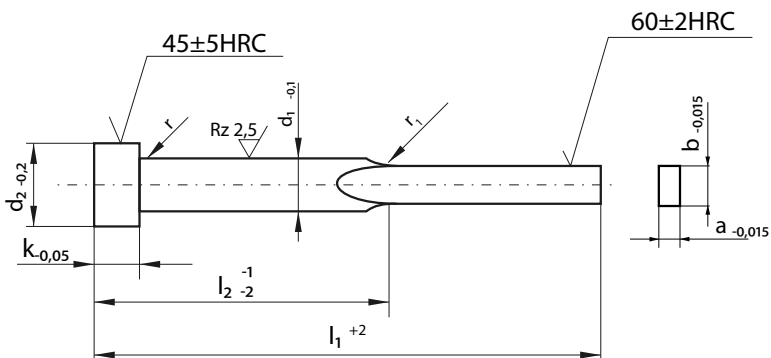
TPF

WYPYCHACZ PŁASKI

EJECTOR PIN – FLAT



Mat.: WS  
 Azotowany na zapytanie  
 Inne wymiary – na zapytanie  
 Mat.: WS  
 Nitrided on request  
 Other dimension on request

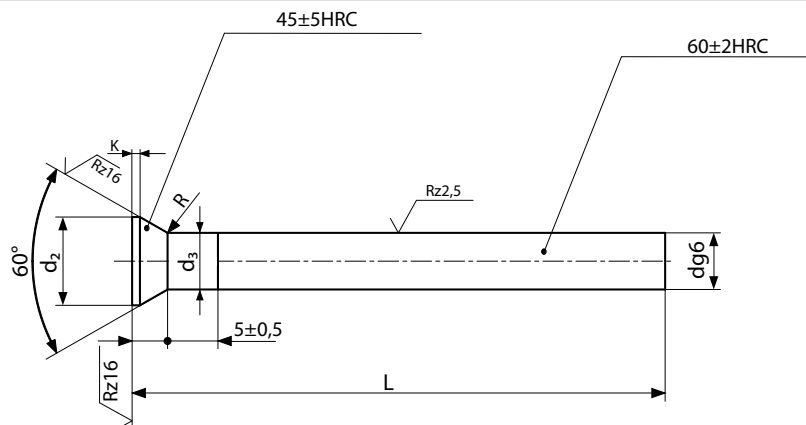


b	a	d <sub>1</sub>	d <sub>2</sub>	k	Nr kat. / Item no.								
					l <sub>1</sub> =80	l <sub>1</sub> =100	l <sub>1</sub> =125	l <sub>1</sub> =160	l <sub>1</sub> =200	l <sub>1</sub> =250	l <sub>1</sub> =315	l <sub>1</sub> =400	
					l <sub>2</sub> =40	l <sub>2</sub> =50	l <sub>2</sub> =63	l <sub>2</sub> =80	l <sub>2</sub> =100	l <sub>2</sub> =125	l <sub>2</sub> =160	l <sub>2</sub> =200	
3,8	0,8	4,2	8	3	TPF-03808080	TPF-03808100	TPF-03808125						
	1,0				TPF-03810080	TPF-03810100	TPF-03810125	TPF-03810160					
	1,2				TPF-03812080	TPF-03812100	TPF-03812125	TPF-03812160					
4,5	1,0	5,0	10	3	TPF-04510080	TPF-04510100	TPF-04510125	TPF-04510160					
	1,2				TPF-04512080	TPF-04512100	TPF-04512125	TPF-04512160					
	1,5				TPF-04515080	TPF-04515100	TPF-04515125	TPF-04515160	TPF-04515200				
5,5	1,0	6,0	12	3	TPF-05510080	TPF-05510100	TPF-05510125	TPF-05510160	TPF-05510200				
	1,2				TPF-05512080	TPF-05512100	TPF-05512125	TPF-05512160	TPF-05512200				
	1,5				TPF-05515080	TPF-05515100	TPF-05515125	TPF-05515160	TPF-05515200				
	2,0				TPF-05520080	TPF-05520100	TPF-05520125	TPF-05520160	TPF-05520200				
7,5	1,2	8,0	14	5	TPF-07512080	TPF-07512100	TPF-07512125	TPF-07512160	TPF-07512200				
	1,5						TPF-07515125	TPF-07515160	TPF-07515200	TPF-07515250			
	2,0							TPF-07520160	TPF-07520200	TPF-07520250	TPF-07520315		
9,5	1,5	10	16	5				TPF-09515160	TPF-09515200	TPF-09515250	TPF-09515315		
	2,0								TPF-09520200	TPF-09520250	TPF-09520315	TPF-09520400	
11,5	2,0	12	18	7					TPF-11520200	TPF-11520250	TPF-11520315	TPF-11520400	
	2,5								TPF-11525200	TPF-11525250	TPF-11525315	TPF-11525400	

DIN 1530

FORMA D

Mat.: WS



d	d <sub>2</sub>	K 0/+0,2	R +0/0,2	d <sub>3</sub>	l <sub>1</sub> +2/0					
					100	125	160	200	250	315
0,8	1,4	0,2	0,3	d <sub>1</sub> +0,02	TES-008100	TES-008125	TES-008160	TES-008200	TES-008250	TES-008315
0,9	1,6	0,2			TES-009100	TES-009125	TES-009160	TES-009200	TES-009250	TES-009315
1,0	1,8	0,2			TES-010100	TES-010125	TES-010160	TES-010200	TES-010250	TES-010315
1,1		0,4			TES-011100	TES-011125	TES-011160	TES-011200	TES-011250	TES-011315
1,2	2,0	0,4			TES-012100	TES-012125	TES-012160	TES-012200	TES-012250	TES-012315
1,3		0,5			TES-013100	TES-013125	TES-013160	TES-013200	TES-013250	TES-013315
1,4	2,2	0,5			TES-014100	TES-014125	TES-014160	TES-014200	TES-014250	TES-014315
1,5		0,5			TES-015100	TES-015125	TES-015160	TES-015200	TES-015250	TES-015315
1,6	2,5	0,5			TES-016100	TES-016125	TES-016160	TES-016200	TES-016250	TES-016315
1,7		0,5			TES-017100	TES-017125	TES-017160	TES-017200	TES-017250	TES-017315
1,8	2,8	0,5			TES-018100	TES-018125	TES-018160	TES-018200	TES-018250	TES-018315
1,9		0,5			TES-019100	TES-019125	TES-019160	TES-019200	TES-019250	TES-019315
2,0	3,0	0,5			TES-020100	TES-020125	TES-020160	TES-020200	TES-020250	TES-020315
2,1	3,2	0,5			TES-021100	TES-021125	TES-021160	TES-021200	TES-021250	TES-021315
2,2		0,5			TES-022100	TES-022125	TES-022160	TES-022200	TES-022250	TES-022315
2,3	3,5	0,5			TES-023100	TES-023125	TES-023160	TES-023200	TES-023250	TES-023315
2,4		0,5			TES-024100	TES-024125	TES-024160	TES-024200	TES-024250	TES-024315
2,5		0,5			TES-025100	TES-025125	TES-025160	TES-025200	TES-025250	TES-025315
2,6		0,5			TES-026100	TES-026125	TES-026160	TES-026200	TES-026250	TES-026315
2,7	4,0	0,5			TES-027100	TES-027125	TES-027160	TES-027200	TES-027250	TES-027315
2,8		0,5	TES-028100	TES-028125	TES-028160	TES-028200	TES-028250	TES-028315		
2,9		0,5	TES-029100	TES-029125	TES-029160	TES-029200	TES-029250	TES-029315		
3,0	4,5	0,5	d <sub>1</sub> +0,03	TES-030100	TES-030125	TES-030160	TES-030200	TES-030250	TES-030315	
3,1		0,5		TES-031100	TES-031125	TES-031160	TES-031200	TES-031250	TES-031315	
3,2		0,5		TES-032100	TES-032125	TES-032160	TES-032200	TES-032250	TES-032315	
3,5		0,5		TES-035100	TES-035125	TES-035160	TES-035200	TES-035250	TES-035315	
4,0	5,0	0,5	TES-040100	TES-040125	TES-040160	TES-040200	TES-040250	TES-040315		
4,1		0,5	TES-041100	TES-041125	TES-041160	TES-041200	TES-041250	TES-041315		
4,2		0,5	TES-042100	TES-042125	TES-042160	TES-042200	TES-042250	TES-042315		
4,5		0,5	TES-045100	TES-045125	TES-045160	TES-045200	TES-045250	TES-045315		
5,0		0,5	TES-050100	TES-050125	TES-050160	TES-050200	TES-050250	TES-050315		
5,1		6,5	0,5	TES-051100	TES-051125	TES-051160	TES-051200	TES-051250	TES-051315	
5,2	0,5		TES-052100	TES-052125	TES-052160	TES-052200	TES-052250	TES-052315		
5,5	7,0	0,5	TES-055100	TES-055125	TES-055160	TES-055200	TES-055250	TES-055315		
6,0	8,0	0,5	TES-060100	TES-060125	TES-060160	TES-060200	TES-060250	TES-060315		
6,2		0,5	TES-062100	TES-062125	TES-062160	TES-062200	TES-062250	TES-062315		
6,5	9,0	1	TES-065100	TES-065125	TES-065160	TES-065200	TES-065250	TES-065315		
7,0		1	TES-070100	TES-070125	TES-070160	TES-070200	TES-070250	TES-070315		
7,5		1	TES-075100	TES-075125	TES-075160	TES-075200	TES-075250	TES-075315		
8,0		1	TES-080100	TES-080125	TES-080160	TES-080200	TES-080250	TES-080315		
8,2	10,0	1	TES-082100	TES-082125	TES-082160	TES-082200	TES-082250	TES-082315		
8,5	11,0	1	TES-085100	TES-085125	TES-085160	TES-085200	TES-085250	TES-085315		
9,0		1	TES-090100	TES-090125	TES-090160	TES-090200	TES-090250	TES-090315		
10,0		1	TES-100100	TES-100125	TES-100160	TES-100200	TES-100250	TES-100315		
11,0	13,0	1	d <sub>1</sub> +0,04	TES-110100	TES-110125	TES-110160	TES-110200	TES-110250	TES-110315	
12,0	14,0	1		TES-120100	TES-120125	TES-120160	TES-120200	TES-120250	TES-120315	
14,0	16,0	1		TES-140100	TES-140125	TES-140160	TES-140200	TES-140250	TES-140315	
16,0	18,0	1,5		TES-160100	TES-125125	TES-160160	TES-160200	TES-160250	TES-160315	

CPT

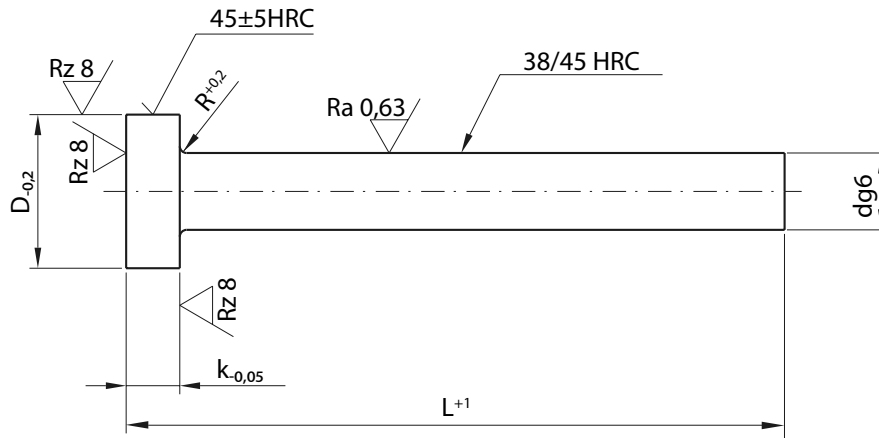
RDZEŃ FORMUJĄCY

CORE PIN



DIN 1530

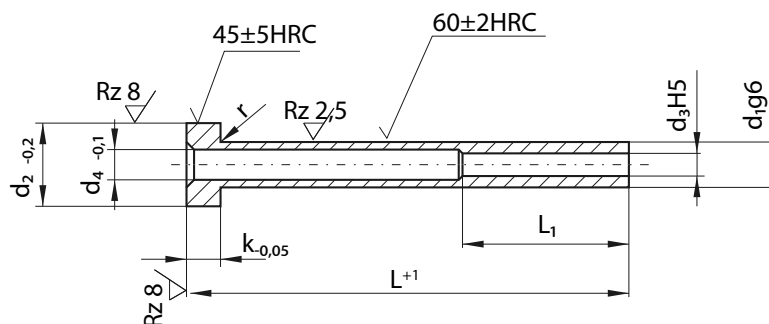
Mat.: 1,2344



d	D	k	R	Nr kat. / Item no.															
				L															
				100	125	160	200	250	315	400	500	630							
1,5	3	1,5	0,2	CPT-015100	CPT-015125	CPT-015160	CPT-015200												
2	4	CPT-020100		CPT-020125	CPT-020160	CPT-020200													
2,2		CPT-022100		CPT-022125	CPT-022160	CPT-022200													
2,5	5	3		0,3	CPT-025100	CPT-025125	CPT-025160	CPT-025200											
3	6		CPT-030100		CPT-030125	CPT-030160	CPT-030200	CPT-030250											
3,5	7		CPT-035100		CPT-035125	CPT-035160	CPT-035200	CPT-035250											
3,7			CPT-037100		CPT-037125	CPT-037160	CPT-037200												
4	8		CPT-040100		CPT-040125	CPT-040160	CPT-040200	CPT-040250	CPT-040315										
4,2			CPT-042100		CPT-042125	CPT-042160	CPT-042200	CPT-042250	CPT-042315									CPT-042630	
4,5			CPT-045100		CPT-045125	CPT-045160	CPT-045200	CPT-045250	CPT-045315										
5	10		CPT-050100		CPT-050125	CPT-050160	CPT-050200	CPT-050250	CPT-050315	CPT-050400									CPT-050630
5,2			CPT-052100		CPT-052125	CPT-052160	CPT-052200	CPT-052250	CPT-052315										
5,5			CPT-055100		CPT-055125	CPT-055160	CPT-055200	CPT-055250	CPT-055315	CPT-055400	CPT-055500	CPT-055630							
6	12	5	0,5	CPT-060100	CPT-060125	CPT-060160	CPT-060200	CPT-060250	CPT-060315	CPT-060400	CPT-060500	CPT-060630							
6,2				CPT-062100	CPT-062125	CPT-062160	CPT-062200	CPT-062250	CPT-062315										
6,5				CPT-065100	CPT-065125	CPT-065160	CPT-065200	CPT-065250	CPT-065315										
7				CPT-070100	CPT-070125	CPT-070160	CPT-070200	CPT-070250	CPT-070315										
8				CPT-080100	CPT-080125	CPT-080160	CPT-080200	CPT-080250	CPT-080315	CPT-080400	CPT-080500	CPT-080630							
8,2	14	CPT-082100	CPT-082125	CPT-082160	CPT-082200	CPT-082250	CPT-082315	CPT-082400											
8,5		CPT-085100	CPT-085125	CPT-085160	CPT-085200	CPT-085250	CPT-085315	CPT-085400											
9		CPT-090100	CPT-090125	CPT-090160	CPT-090200	CPT-090250	CPT-090315	CPT-090400											
10	16	CPT-100100	CPT-100125	CPT-100160	CPT-100200	CPT-100250	CPT-100315	CPT-100400	CPT-100500	CPT-100630									
10,2		CPT-102100	CPT-102125	CPT-102160	CPT-102200	CPT-102250	CPT-102315	CPT-102400											
10,5		CPT-105100	CPT-105125	CPT-105160	CPT-105200	CPT-105250	CPT-105315	CPT-105400											
11		CPT-110100	CPT-110125	CPT-110160	CPT-110200	CPT-110250	CPT-110315	CPT-110400											
12	18	7	0,8	CPT-120100	CPT-120125	CPT-120160	CPT-120200	CPT-120250	CPT-120315	CPT-120400	CPT-120500	CPT-120630							
12,2				CPT-122100	CPT-122125	CPT-122160	CPT-122200	CPT-122250	CPT-122315	CPT-122400									
12,5				CPT-125100	CPT-125125	CPT-125160	CPT-125200	CPT-125250	CPT-125315	CPT-125400									
14				CPT-140100	CPT-140125	CPT-140160	CPT-140200	CPT-140250	CPT-140315	CPT-140400	CPT-140500	CPT-140630							
16				CPT-160100	CPT-160125	CPT-160160	CPT-160200	CPT-160250	CPT-160315	CPT-160400	CPT-160500	CPT-160630							

DIN 16756

Mat.: 1,2210



$d_3$	$d_1$	$d_2$	k	$d_4$	$L_1$	Nr kat. / Item no.							
						L							
						75	100	125	150	175	200	225	250
1,5	3	6	3	1,9	35	THT-01503075	THT-01503100	THT-01503125	THT-01503150				
1,6				THT-01603075		THT-01603100	THT-01603125	THT-01603150					
2	4	8		2,4		THT-02004075	THT-02004100	THT-02004125	THT-02004150	THT-02004175	THT-02004200	THT-02004225	THT-02004250
2,2				THT-02204075		THT-02204100	THT-02204125	THT-02204150	THT-02204175	THT-02204200	THT-02204225	THT-02204250	
2,5	5	10		3,0		THT-02505075	THT-02505100	THT-02505125	THT-02505150	THT-02505175	THT-02505200	THT-02505225	THT-02505250
2,7				THT-02705075		THT-02705100	THT-02705125	THT-02705150	THT-02705175	THT-02705200	THT-02705225	THT-02705250	
3	6	12	3,3	45	THT-03005075	THT-03005100	THT-03005125	THT-03005150	THT-03005175	THT-03005200	THT-03005225	THT-03005250	
3,2			THT-03205075		THT-03205100	THT-03205125	THT-03205150	THT-03205175	THT-03205200	THT-03205225	THT-03205250		
3,5	THT-03506075	THT-03506100	THT-03506125		THT-03506150	THT-03506175	THT-03506200	THT-03506225	THT-03506250				
3,7	THT-03706075	THT-03706100	THT-03706125		THT-03706150	THT-03706175	THT-03706200	THT-03706225	THT-03706250				
4	THT-04006075	THT-04006100	THT-04006125		THT-04006150	THT-04006175	THT-04006200	THT-04006225	THT-04006250				
4,2	THT-04208075	THT-04208100	THT-04208125		THT-04208150	THT-04208175	THT-04208200	THT-04208225	THT-04208250				
5	8	14	5,3	THT-05008075	THT-05008100	THT-05008125	THT-05008150	THT-05008175	THT-05008200	THT-05008225	THT-05008250		
5,2			THT-05208075	THT-05208100	THT-05208125	THT-05208150	THT-05208175	THT-05208200	THT-05208225	THT-05208250			
6	10	16	6,3	THT-06010075	THT-06010100	THT-06010125	THT-06010150	THT-06010175	THT-06010200	THT-06010225	THT-06010250		
6,2			THT-06210075	THT-06210100	THT-06210125	THT-06210150	THT-06210175	THT-06210200	THT-06210225	THT-06210250			
8	12	20	10	THT-08012075	THT-08012100	THT-08012125	THT-08012150	THT-08012175	THT-08012200	THT-08012225	THT-08012250		
8,2			THT-08212075	THT-08212100	THT-08212125	THT-08212150	THT-08212175	THT-08212200	THT-08212225	THT-08212250			
10	14	22	10,5	THT-10014075	THT-10014100	THT-10014125	THT-10014150	THT-10014175	THT-10014200	THT-10014225	THT-10014250		
12			THT-12016075	THT-12016100	THT-12016125	THT-12016150	THT-12016175	THT-12016200	THT-12016225	THT-12016250			

THN

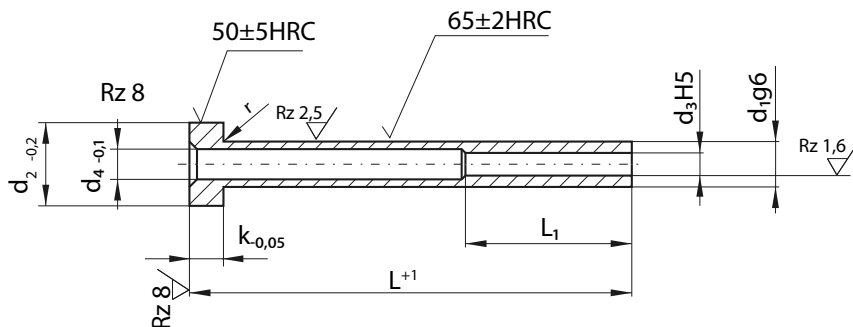
WYPYCHACZ TULEJOWY AZOTOWANY

EJECTOR SLEEVE NITRIDED



DIN 16756

Mat.: 1,2344  
Azotowany  
Mat.: 1,2344  
Nitrided



d <sub>3</sub>	d <sub>1</sub>	d <sub>2</sub>	k	d <sub>4</sub>	L <sub>1</sub>	Nr kat. / Item no.							
						L							
						75	100	125	150	175	200	225	250
1,5	3	6	3	1,9	35	THN-01503075	THN-01503100	THN-01503125	THN-01503150				
1,6				THN-01603075		THN-01603100	THN-01603125	THN-01603150					
2	4	8		2,4		THN-02004075	THN-02004100	THN-02004125	THN-02004150	THN-02004175	THN-02004200	THN-02004225	THN-02004250
2,2				THN-02204075		THN-02204100	THN-02204125	THN-02204150	THN-02204175	THN-02204200	THN-02204225	THN-02204250	
2,5	5	10		2,9		THN-02505075	THN-02505100	THN-02505125	THN-02505150	THN-02505175	THN-02505200	THN-02505225	THN-02505250
2,7				THN-02705075		THN-02705100	THN-02705125	THN-02705150	THN-02705175	THN-02705200	THN-02705225	THN-02705250	
3				3,2		THN-03005075	THN-03005100	THN-03005125	THN-03005150	THN-03005175	THN-03005200	THN-03005225	THN-03005250
3,2				3,6		THN-03205075	THN-03205100	THN-03205125	THN-03205150	THN-03205175	THN-03205200	THN-03205225	THN-03205250
3,5	6	12		3,9		THN-03506075	THN-03506100	THN-03506125	THN-03506150	THN-03506175	THN-03506200	THN-03506225	THN-03506250
3,7				4,0		THN-03706075	THN-03706100	THN-03706125	THN-03706150	THN-03706175	THN-03706200	THN-03706225	THN-03706250
4	8	14	4,4	THN-04006075	THN-04006100	THN-04006125	THN-04006150	THN-04006175	THN-04006200	THN-04006225	THN-04006250		
4,2			4,6	THN-04208075	THN-04208100	THN-04208125	THN-04208150	THN-04208175	THN-04208200	THN-04208225	THN-04208250		
5			5,4	THN-05008075	THN-05008100	THN-05008125	THN-05008150	THN-05008175	THN-05008200	THN-05008225	THN-05008250		
5,2			5,6	THN-05208075	THN-05208100	THN-05208125	THN-05208150	THN-05208175	THN-05208200	THN-05208225	THN-05208250		
6	10	16	6,4	THN-06010075	THN-06010100	THN-06010125	THN-06010150	THN-06010175	THN-06010200	THN-06010225	THN-06010250		
6,2			6,6	THN-06210075	THN-06210100	THN-06210125	THN-06210150	THN-06210175	THN-06210200	THN-06210225	THN-06210250		
8	12	20	8,4	THN-08012075	THN-08012100	THN-08012125	THN-08012150	THN-08012175	THN-08012200	THN-08012225	THN-08012250		
8,2			8,6	THN-08212075	THN-08212100	THN-08212125	THN-08212150	THN-08212175	THN-08212200	THN-08212225	THN-08212250		
10			10,4	THN-10014075	THN-10014100	THN-10014125	THN-10014150	THN-10014175	THN-10014200	THN-10014225	THN-10014250		
12			12,4	THN-12016075	THN-12016100	THN-12016125	THN-12016150	THN-12016175	THN-12016200	THN-12016225	THN-12016250		