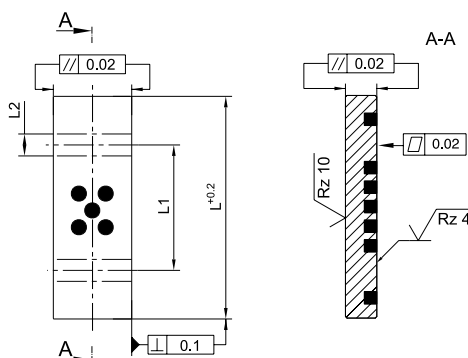


**PŁYTKA SAMOSMARNA**  
**WEAR PLATE SELF LUBRICATING**

**PVG**

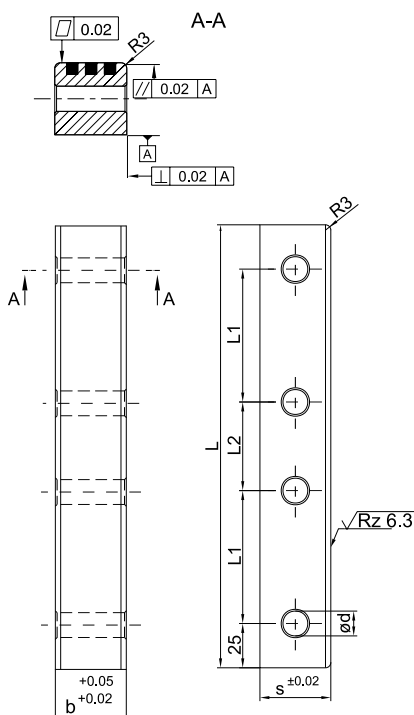


Mat.:  
Brąz aluminiowy + grafit  
Aluminium bronze + graphite

b	L	s	L1	L2	Nr kat. / Item no.
16	40	8	15	6	PVG-16700
18	50		28		PVG-16701
20	63	10	32	7	PVG-16702
25	71		40		PVG-16703
28	80		50		PVG-16704

**PŁYTKA SAMOSMARNA**  
**WEAR PLATE SELF LUBRICATING**

**PVH**  
**PSH**



b x L x s	L1	L2	d	Ilość śrub Quantity screws	Nr kat. / Item no.*	Nr kat. / Item no.**	
30 x 150 x 40	50	-	14	3	PVH-19550	-	
30 x 200 x 40	75				PVH-19551		
30 x 250 x 40		50		4	PVH-19552		
40 x 150 x 40	50	-		3	PVH-19553		PSH-18141
40 x 200 x 40	75				PVH-19554		
40 x 250 x 40		50		4	PVH-19555		
45 x 150 x 50	50	-	3	PVH-19556	-		
45 x 200 x 50	75			PVH-19557			
45 x 250 x 50		50	4	PVH-19558			
55 x 150 x 50	50	-	3	PVH-19559	PSH-18142		
55 x 200 x 50	75			PVH-19560		PSH-18144	
55 x 250 x 50		50	50	4	PVH-19561	PSH-18146	
60 x 150 x 50	50	-	3	PVH-19562	-		
60 x 200 x 50	75			PVH-19563			
60 x 250 x 50		50	50	4	PVH-19564		
70 x 150 x 50	50	-	3	PVH-19565	PSH-18143		
70 x 200 x 50	75			PVH-19566		PSH-18145	
70 x 250 x 50		50	50	4	PVH-19567	-	

\* Mat.: Brąz aluminiowy + grafit  
Mat.: Aluminium bronze + graphite

\*\* Mat.: Stal + grafit  
Mat.: Steel + graphite