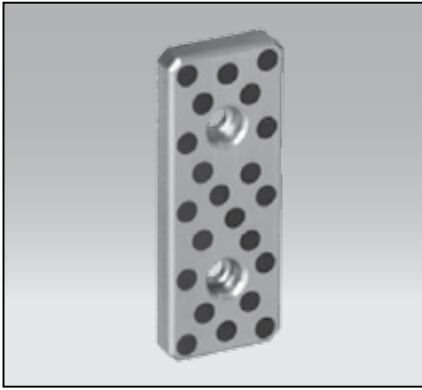
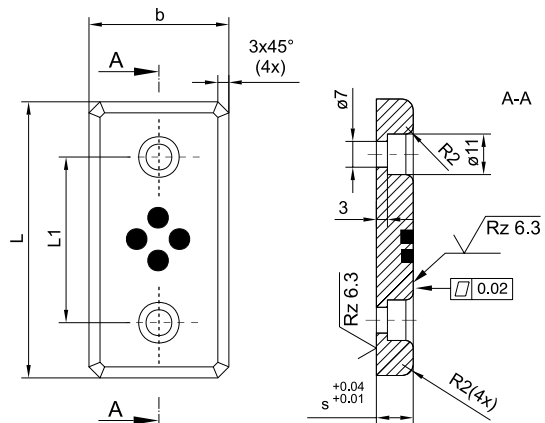


PŁYTKA SAMOSMARNA

WEAR PLATE SELF LUBRICATING

PVN


Mat.:
 Brąz aluminiowy + grafit
 Aluminium bronze + graphite



$b \times L \times s$	$L1 \pm 0,2$	Nr kat. / Item no.
18 × 75 × 10	45	PVN-17200
18 × 100 × 10	50	PVN-17201
18 × 125 × 10	75	PVN-17198
18 × 150 × 10	100	PVN-17202
28 × 75 × 10	45	PVN-17203
28 × 100 × 10	50	PVN-17204
28 × 125 × 10	75	PVN-17197
28 × 150 × 10	100	PVN-17205
38 × 75 × 10	45	PVN-17206
38 × 100 × 10	50	PVN-17207
38 × 125 × 10	75	PVN-17199
38 × 150 × 10	100	PVN-17208
48 × 75 × 10	45	PVN-17209
48 × 100 × 10	50	PVN-17210
48 × 125 × 10	75	PVN-17211
48 × 150 × 10	100	PVN-17212