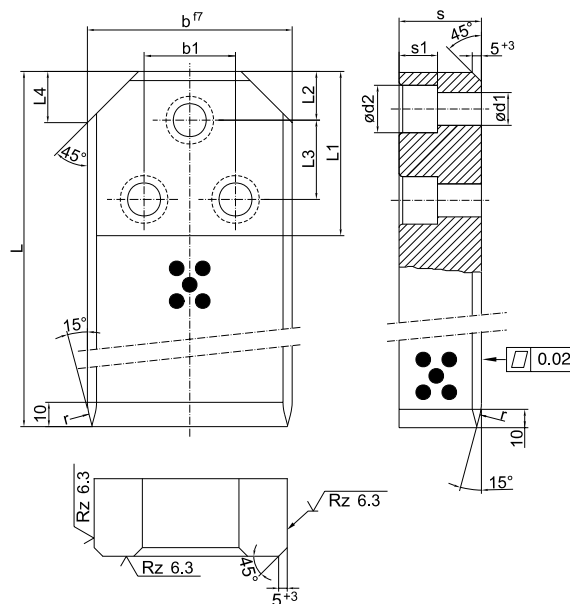


**PROWADNICA ŚLIZGOWA SAMOSMARNA**  
**GUIDE BAR WITH LUBRICANT VDI 3387**



Mat.:  
 Brąz aluminiowy + grafit  
 Aluminium bronze + graphite



| b   | L   | s  | b1 | L1  | L2 | L3<br>±0,2 | L4 | r  | s1 | ∅<br>d1/d2 | Sposób mocowania<br>Quantity cheese<br>head screws | Nr kat. / Item no. |
|-----|-----|----|----|-----|----|------------|----|----|----|------------|--|--------------------|
| 63  | 180 | 25 | 36 | 90  | 20 | 50         | 18 | 16 | 16 | 14/20      | 3  | GVA-19150          |
|     | 200 |    |    |     |    |            |    |    |    |            |  | GVA-19151          |
|     | 224 |    |    |     |    |            |    |    |    |            |  | GVA-19152          |
|     | 180 | 36 |    |     |    |            |    |    |    |            |  | GVA-19153          |
|     | 200 |    |    |     |    |            |    |    |    |            |  | GVA-19154          |
|     | 224 |    |    |     |    |            |    |    |    |            |  | GVA-19155          |
| 71  | 180 | 25 | 36 | 90  | 20 | 50         | 18 | 16 | 16 | 14/20      | 3  | GVA-19156          |
|     | 200 |    |    |     |    |            |    |    |    |            |  | GVA-19157          |
|     | 224 |    |    |     |    |            |    |    |    |            |  | GVA-19158          |
|     | 180 | 36 |    |     |    |            |    |    |    |            |  | GVA-19159          |
|     | 200 |    |    |     |    |            |    |    |    |            |  | GVA-19160          |
|     | 224 |    |    |     |    |            |    |    |    |            |  | GVA-19161          |
| 90  | 200 | 36 | 50 | 100 | 20 | 50         | 28 | 25 | 21 | 18/26      | 3  | GVA-19162          |
|     | 224 |    |    |     |    |            |    |    |    |            |  | GVA-19163          |
|     | 250 |    |    |     |    |            |    |    |    |            |  | GVA-19164          |
|     | 200 | 45 |    |     |    |            |    |    |    |            |  | GVA-19165          |
|     | 224 |    |    |     |    |            |    |    |    |            |  | GVA-19166          |
|     | 250 |    |    |     |    |            |    |    |    |            |  | GVA-19167          |
| 112 | 200 | 36 | 50 | 100 | 20 | 50         | 28 | 25 | 21 | 18/26      | 3  | GVA-19168          |
|     | 224 |    |    |     |    |            |    |    |    |            |  | GVA-19169          |
|     | 250 |    |    |     |    |            |    |    |    |            |  | GVA-19170          |
|     | 200 | 45 |    |     |    |            |    |    |    |            |  | GVA-19171          |
|     | 224 |    |    |     |    |            |    |    |    |            |  | GVA-19172          |
|     | 250 |    |    |     |    |            |    |    |    |            |  | GVA-19173          |